

WARRANTY

We strive to offer high-quality products, and we also try our best to satisfy each and every customer that orders from us with product or service as needed.

Each customer must provide a record of their order such as the order number, or item receipt for any items that are out of the warranty period you may also still receive replacement parts by purchasing them with our company if they are available.

**Are you having difficulty
with assembly? Missing parts?**

Please contact us : info@firstopintl.com

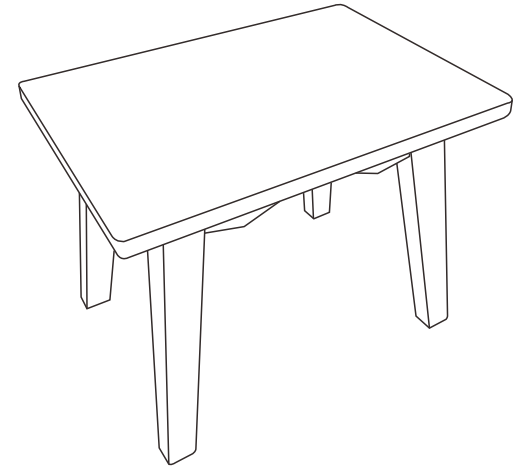
telephone No.:5627813327

send email with your order No. to

**For return, please check the return policy with
the retailer or market place you bought from.**

Appreciate your purchasing from us.

Pop up your life by our furniture !

The logo for Wixe, featuring the word "wixe" in a bold, lowercase, sans-serif font. The letter "i" is stylized with a grey dot and a grey vertical bar.

**ITEM NO.: FOP-ODF518882103
FOP-ODF518882104**

NOTE:

This brochure contains IMPORTANT safety info. Please read and keep for future reference.

MAINTAINANCE AND WARNING

- Keep furniture away from heat and fire.
- Keep furniture away from sharp objects.
- Do not clean furniture with harsh cleansers or polish. Do not use detergents, Solvents, abrasives, spray packs or leather cleaner. Use non-color mild soap with warm water clean spills(Mix 1:10 soap to water)
- Do not place furniture under direct sunlight, material will possibly fade over time.
- Do not jump or strike on the furniture.
- Do not write on furniture without a padded barrier to protect the surface.
- Not for commercial use, For residential use only.



Weight Limitation

400LBS

PARTS LIST

Ax1

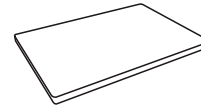
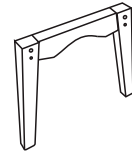


Table top

Bx2



Legs

Cx2



End apron

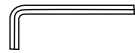
HARDWARE and TOOL LIST

① x10



M6*40mm
Bolt

② x1



Allen key

③ x4



Plastic cover

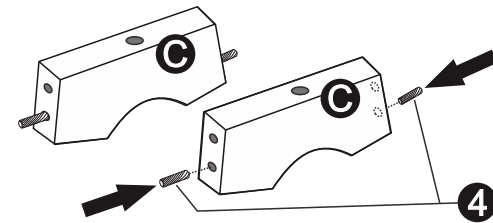
④ x4



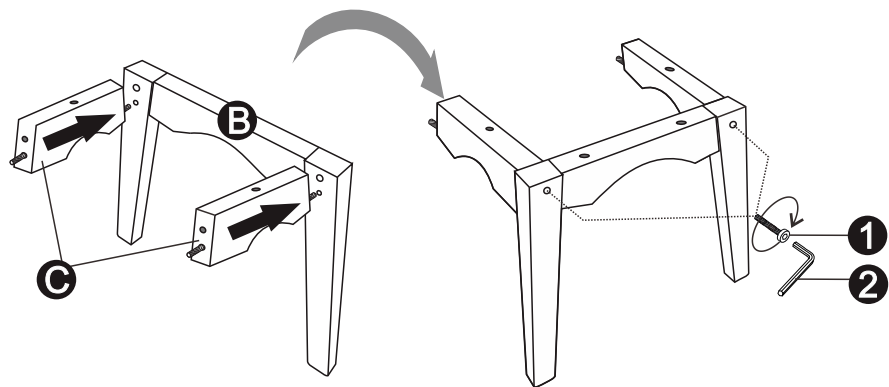
Wood dowel

Be sure to check all packing materia fit the packing list. Carefully for small parts, which may have come loose inside the carton during shipment.

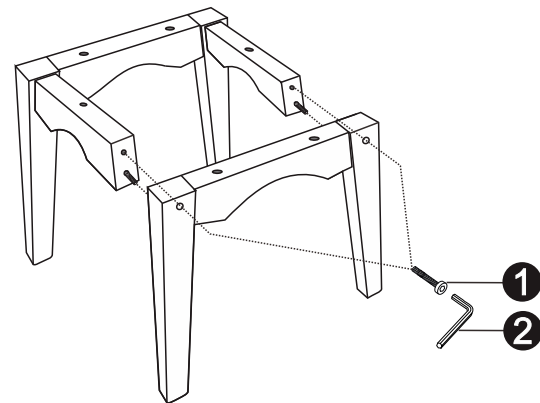
ASSEMBLY INSTRUCTIONS



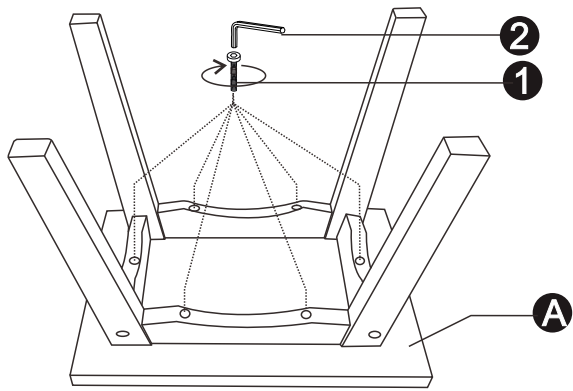
STEP 1: Insert wood dowel pins to end aprons.



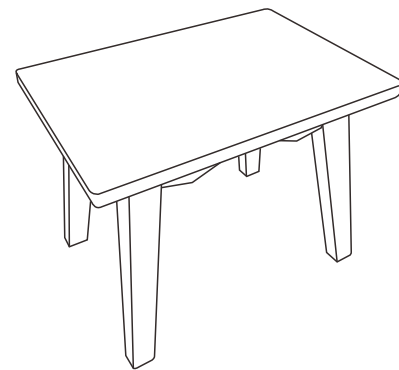
STEP 2: Connect end aprons to legs by inserting wood dowel pins, then tighten screw (1) with allen key (2).



STEP 3: Connect end aprons to another side of legs by inserting wood dowel pins, then tighten screw (1) with allen key (2).



STEP 4: Assemble the lower part to table top with screw (1) and allen key(2).



STEP 5: Assembly completed.